

Full crate inspection unit **miho Gauss F**



Full crate inspection unit miho Gauss F

Advantages

- **Contactless inspection for completeness of bottles and containers**
- **Suitable for crates and trays**
- **Easy and fast installation**
- **Easy teach-in of new packages**
- **No mechanical adjustment necessary at change-over**
- **Inspection independent from the color of crates or caps**

Function

The full crate inspection unit miho Gauss F is used to inspect whether drinks crates or tray packs contain the complete number of bottles/containers after the packer by means of a completely newly developed camera-laser system.

No further sensors are required for any modifications/new crate types. The respective crate type can be selected via a touchscreen, without having to make any mechanical changes or adjustments of the sensors.

Inspection results, parameter values and user logs are logged.

Data transfer via Ethernet is possible via an optional interface.

Technology

- Stainless steel casing
- Camera laser system (Laser Class 2M)
- 5.7" VGA TFT with touch function
- Counter function: total number of controlled crates, number of accepted crates, number of unacceptable crates
- Floating output contact for line shutdown if there is an unacceptable crate
- Alternative: output for controlling a crate reject system, see accessories
- Optical or acoustic signal

Gauss product family

Other crate inspection units of the miho Gauss product family:

- Empty crate inspection unit miho Gauss E
- Packaging inspection unit miho Gauss P

Network integration

- Diagnosis and online help through separate remote maintenance module
- Production data acquisition miho AWeS via Weihenstephaner Standard
- Intermediate storing of the operating data in case of failure of the existing network connection

Reject systems

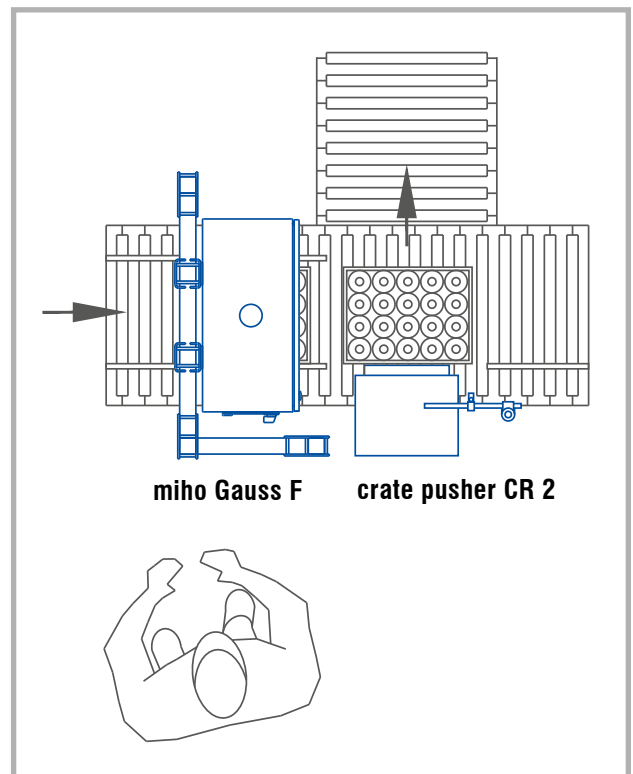
- Pneumatic crate reject system miho CR 2
- Segment reject system for crates miho Leonardo SK
- Two-way segment reject system for crates miho Leonardo SK 2W
- Three-way segment reject system for crates miho Leonardo SK X



Inspection independent from the color of crates or caps



Segment reject system miho Leonardo SK



Exemplary layout of miho Gauss F