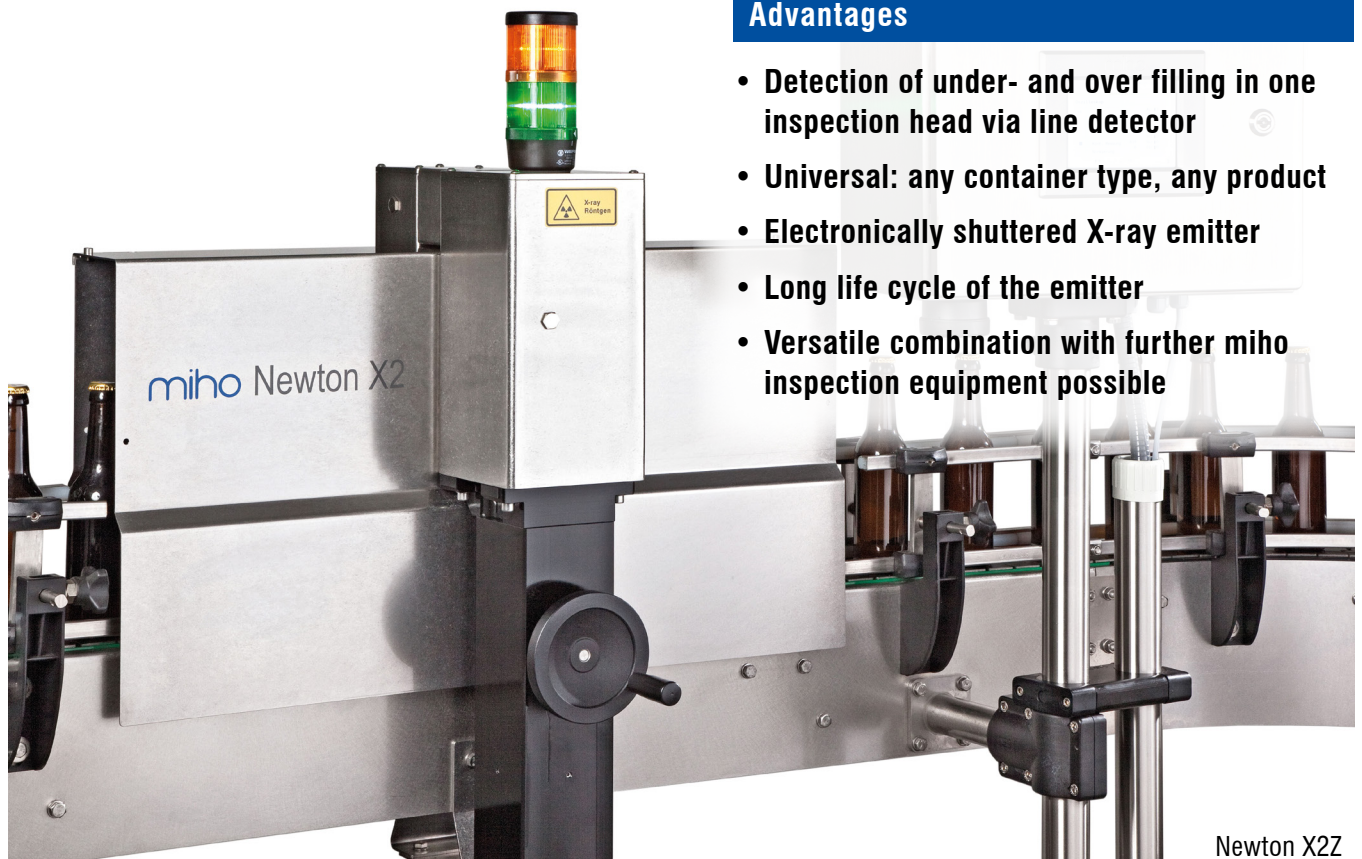


Fill level control **miho** Newton X2Z



Newton X2Z

Advantages

- Detection of under- and over filling in one inspection head via line detector
- Universal: any container type, any product
- Electronically shuttered X-ray emitter
- Long life cycle of the emitter
- Versatile combination with further miho inspection equipment possible

Function

- To check the fill level for any under filling and overfilling in bottles and beverage cans, regardless of the product or the label (metal foil is also possible).
- The measurement is based on an X-ray technology especially developed for this purpose. By using a line detector (fill level measurement range: 20mm), it is possible to accurately inspect any under filling or overfilling with just one inspection head. Minimum radiation exposure, since pulsed X-ray radiation is only generated at the short moment of measurement. The radiation emission is typically below the naturally occurring levels in enclosed spaces.
- Comprehensive statistics for individual types of faults are available. A serial fault detection is implemented. Connection to an external production data acquisition system is possible.

Technology

- miho master: Standardized FPGA control module in stainless steel housing with 5.7" colour display and touch function
- Multilingual user interface (choice of languages), password protection
- Adjustment to different bottle heights by using the height adjustment
- Comprehensive container type specific statistics
- Test rejection after manual request with programmable number in conjunction with a miho filler monitoring system, the miho FM2
- Floating contact for „system ready to operate/ line shutdown“
- Connection data: 230 VAC / 30 VA

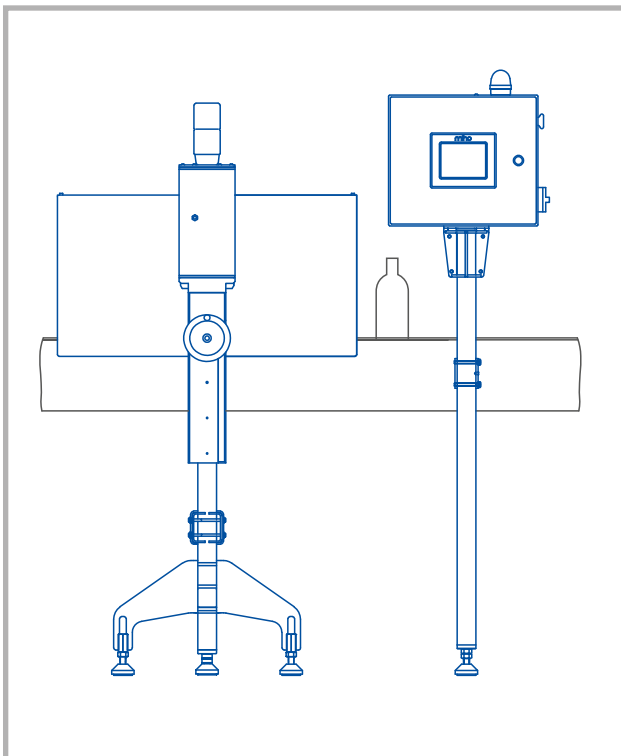
Newton product family

Other fill height controls of the miho Newton product family:

- X-ray fill height control miho Newton X2P
- Infra red fill height control miho Newton IR2
- High frequency fill height control miho Newton HF2M
- Camera based fill height control miho Newton Optics 3

Network Integration

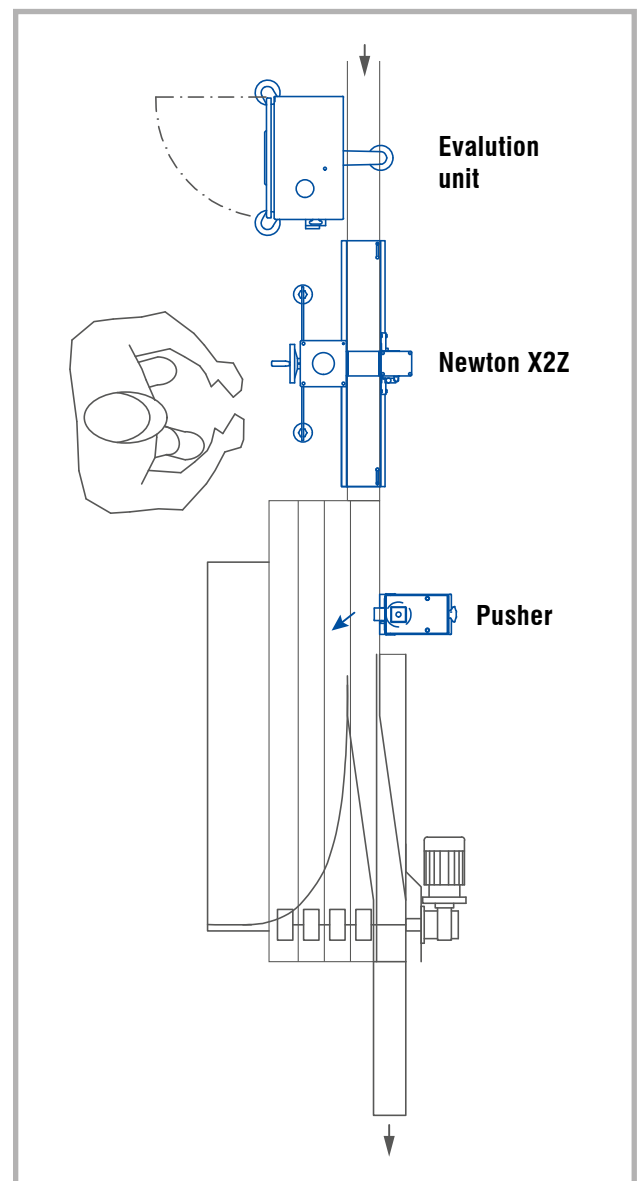
- Diagnosis and online help through separate remote maintenance module
- Production data acquisition miho AWeS via Weihenstephaner Standard
- Intermediate storing of the operating data in case of failure of the existing network connection



Exemplary layout of miho Newton X2Z

Reject systems

- High speed pusher miho HSP
- Linear segment reject system miho Leonardo M
- Multiway reject system miho HSPM



Exemplary layout of miho Newton X2Z